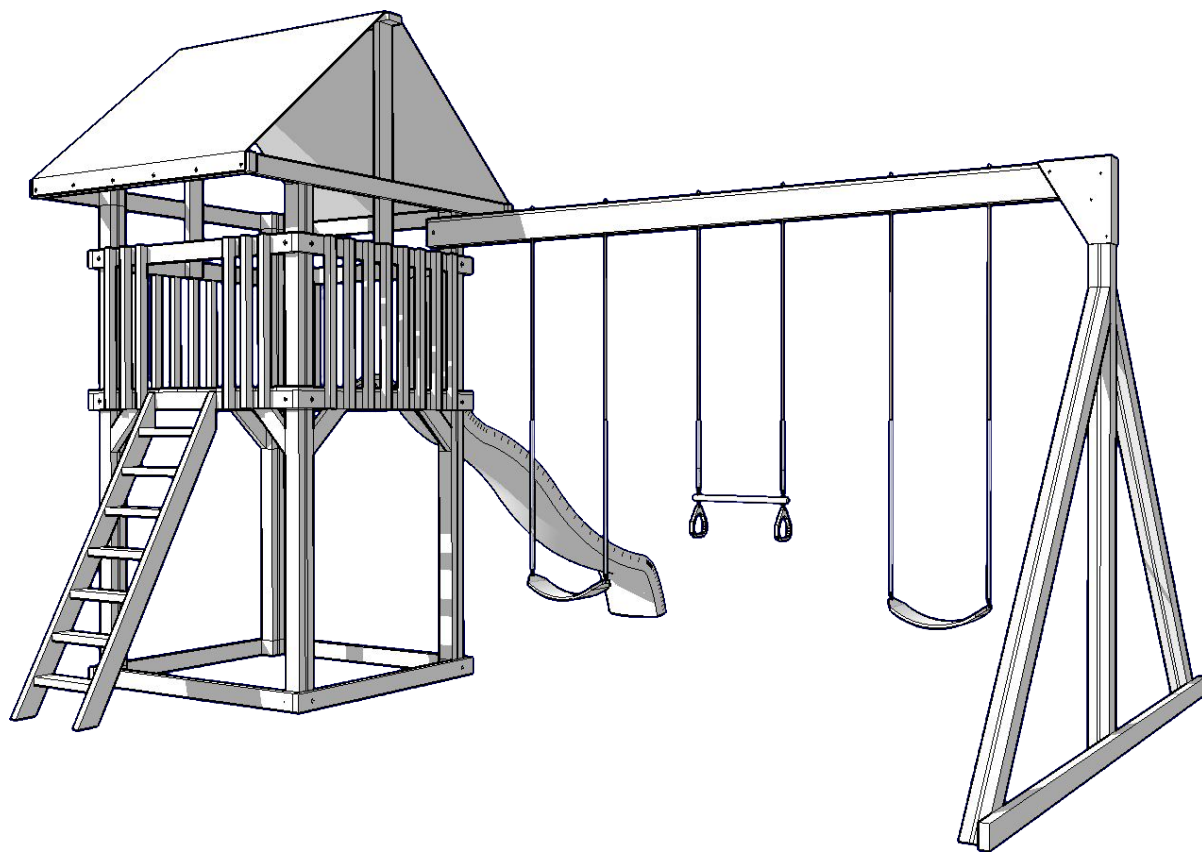


kid^zspace

PLAYSET KIT



KIT ASSEMBLY INSTRUCTIONS



5840 County Road 201 ■ Millersburg, Ohio 44654
1.877.536.2276 ■ P: 330.893.3674 ■ F: 330.893.2814
www.jdmoutdoors.com

Kit Assembly Instructions

Contents

Page 2: Contents.....	2
Page 3: VIDEO / General Assembly Tips & Tricks.....	3
Page 4: Tools Needed / Hardware List.....	4
Page 5: Parts List	5
Page 6: Assembly Steps 1-2	6
Page 7: Assembly Steps 3-4.....	7
Page 8: Assembly Steps 5-6	8
Page 9: Assembly Steps 7-8.....	9
Page 10: Maintenance & Care... ..	10

Assembly Steps

Step 1: Platform & Posts-1	6
Step 2: Platform & Posts-2.....	6
Step 3: Support Braces.....	7
Step 4: Ladder & Roof Ring.....	7
Step 5: Roof Assembly.....	8
Step 6: Beam Triangle.....	8
Step 7: Swing Beam Assembly.....	9
Step 8: Final Shape.....	9



Scan QR Code for Kit Assembly Instructions Video



<https://jdmoutdoors.com/playsetkits>

GENERAL ASSEMBLY TIPS AND TROUBLESHOOTING DURING ASSEMBLY:

- Before you start assembling, make sure you have all the parts and necessary hardware by doing a quick inventory.
- **IMPORTANT:** On each step make sure all screws are sunk into the wood so no screw head is showing above the level surface of the wood. (This is a hazard to children)
- Each part should be marked with the part number or letter. (except hardware)
- All screw holes are predrilled.
- Make sure to have proper ladders available. Do not over reach.
- You will need at least (2) people for assembling this swing set.
- Do not rush and don't skip steps.
- If you run into any issues, you can reach our customer support by calling **877-536-2276**

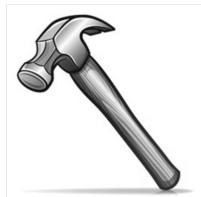


• TOOLS NEEDED FOR ASSEMBLY

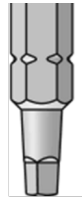
DRILL/SCREW DRIVER



HAMMER



SQUARE BIT



STEP LADDER



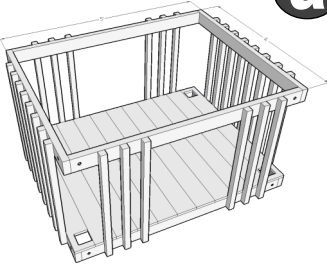

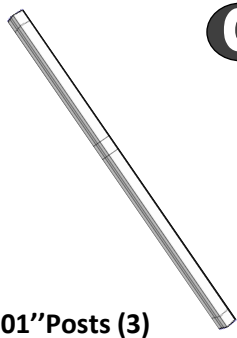

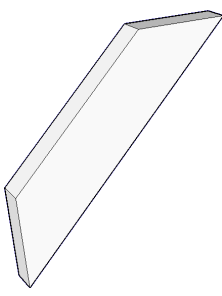
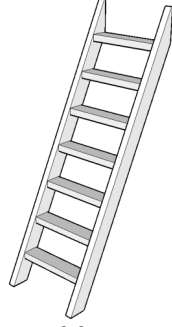
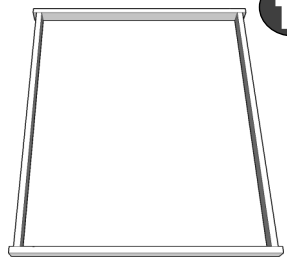
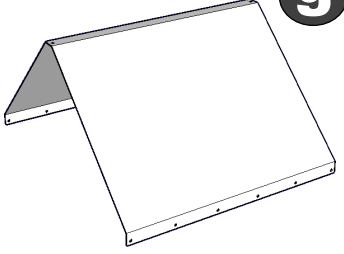
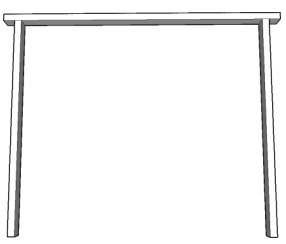
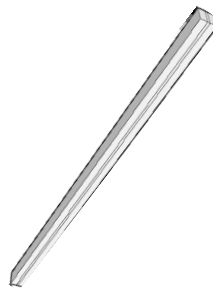
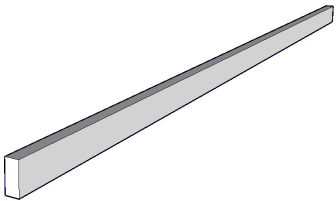
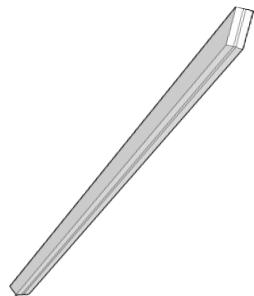
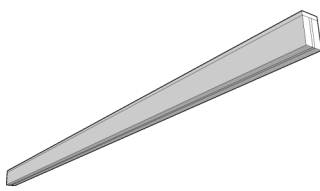
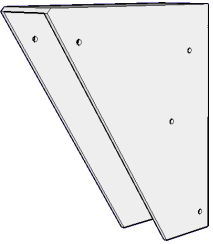
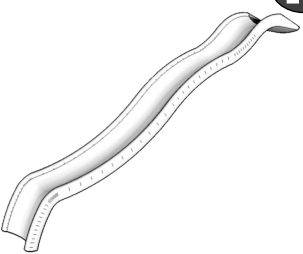
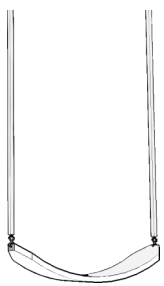
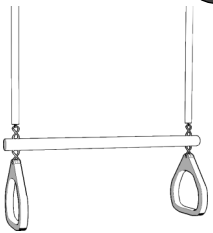


IMPACT SOCKET ADAPTER

(SOCKETS NEEDED)
3/8, 7/16, 3/4

• HARDWARE LIST

PART NUMBER	QUANTITY	ITEM
B8	1	8" Bolt
L3	48	3" Lags
S2	84	2-1/2" Screws
S1	14	1-1/8" Screws
HW	1	Slide HW Pack
GA	4	Ground Anchors

• PARTS LIST

 <p>a</p> <ul style="list-style-type: none"> • Tower Platform 	 <p>b</p> <ul style="list-style-type: none"> • Tower Base Ring 	 <p>c</p> <ul style="list-style-type: none"> • 101" Posts (3) 	 <p>ca</p> <ul style="list-style-type: none"> • Beam Post (1)
 <p>d</p> <ul style="list-style-type: none"> • Corner Braces (8) 	 <p>e</p> <ul style="list-style-type: none"> • Ladder 	 <p>f</p> <ul style="list-style-type: none"> • Tarp Roof Ring 	 <p>g</p> <ul style="list-style-type: none"> • Tarp Roof
 <p>h</p> <ul style="list-style-type: none"> • Roof Peak 	 <p>i</p> <ul style="list-style-type: none"> • 90" 4x4 Support 	 <p>j</p> <ul style="list-style-type: none"> • 115" 2x4 Support 	 <p>k</p> <ul style="list-style-type: none"> • 4x4 Braces (2)
 <p>l</p> <ul style="list-style-type: none"> • Swing Beam 	 <p>m</p> <ul style="list-style-type: none"> • Beam Bracket 	 <p>n</p> <ul style="list-style-type: none"> • 10' Wave Slide 	 <p>o</p> <ul style="list-style-type: none"> • Belt Swings (2)
 <p>p</p> <ul style="list-style-type: none"> • Trapeze Bar 	 <p>q</p> <ul style="list-style-type: none"> • Grab Handles (2) 	 <p>5840 County Road 201 ■ Millersburg, Ohio 44654 1.877.536.2276 ■ P: 330.893.3674 ■ F: 330.893.2814</p>	

• Tower Assembly / Platform & Posts

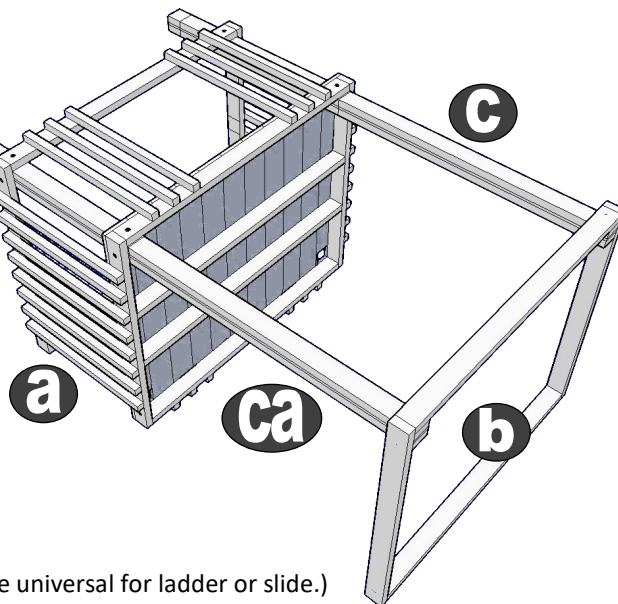
1

• Hardware Needed

S2 2-1/2" Screws (24)

L3 3" lags (8)

Hole
(for Beam)



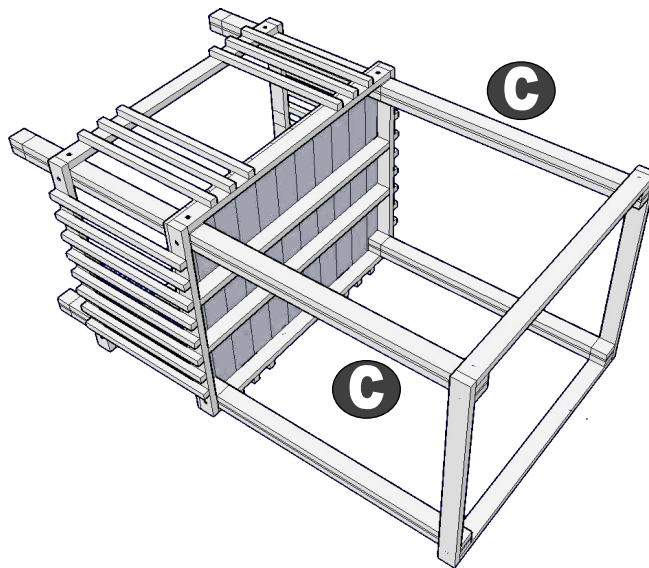
- Lay Tower Platform "a" on 5ft side. (Platform openings are universal for ladder or slide.)
- Attach 1-Beam post "ca" and 1-post "c" to Tower Platform with (4)-2-1/2" screws and (2)-3" Lags in each corner.
- Attach Tower Base Ring "b" with (4)-2-1/2" screws in each corner.

2

• Hardware Needed

S2 2-1/2" Screws (24)

L3 3" lags (8)



- Now lay tower on other 5ft side.
- Attach 2-4x4 posts "c" to Tower Platform "a" with (4)-2-1/2" screws and (2)-3" Lags in each corner.
- Attach second set of 4x4 post "c" to Tower Base Ring "b" with (4)-2-1/2" screws in each corner.

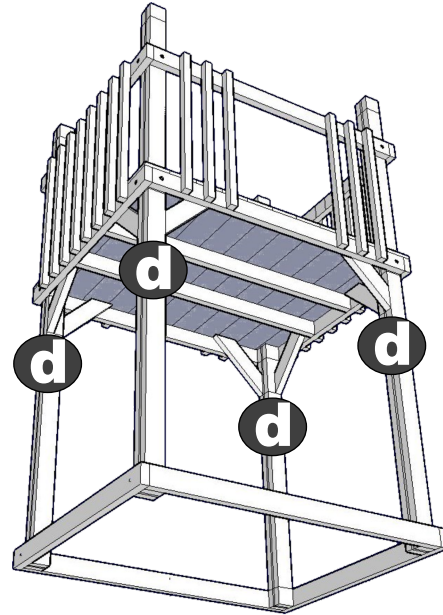
• Support Braces / Ladder & Roof Ring

3

• Hardware Needed

S2 2-1/2" Screws (16)

L3 3" lags (8)



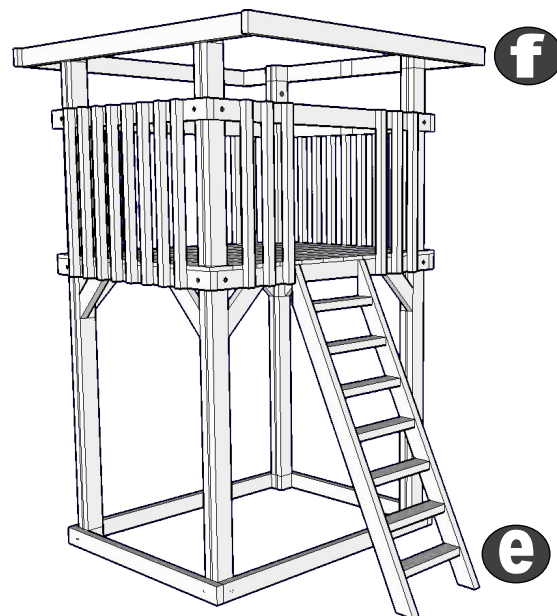
- Stand Tower upright.
- Attach (8) corner Braces "d" with (2)-2-1/2" screws and (1)-3" Lag per Brace.

4

• Hardware Needed

S2 2-1/2" Screws (8)

L3 3" lags (6)



- Attach Ladder "e" with (2)-3" Lags.
- Fasten the Grab Handles "q" to the tower platform with the bolts provided
- Attach Tarp Roof Ring "f" to top of 4x4 posts with (2)-2-1/2" screws and (1)-3" Lag in each corner.

• Roof Assembly / Beam Triangle

5

• Hardware Needed

S2 2-1/2" Screws (8)

S1 1-1/8" Screws (14)

- Attach Tarp Roof "g" to Roof Ring with (6)-1-1/8" screws per side.
- Add Roof Peak piece "h" and push up until tight, then fasten with... (4)-2-1/2" screws per side.
- Fasten Tarp Roof "g" to Peak using (2)-1-1/8" screws from top down.

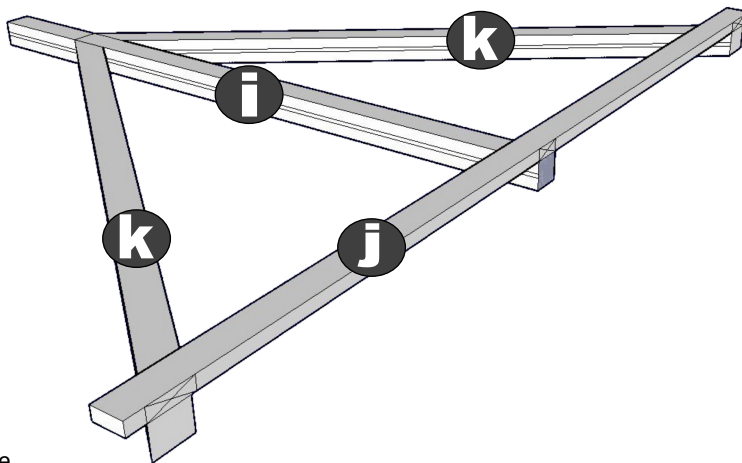


6

• Hardware Needed

L3 3" lags (10)

- Lay 90" 4x4 Support Post "i" on level surface.
- Attach 115" 2x4 Support "j" to 90" 4x4 Support Post "i" with (2)-3" Lags. (Keep bottom flush)
- Add (2) 93-1/2" 4x4 Braces "k" with (2)-3" Lags per Brace. (Keep bottom flush)
- Attach Braces at the top with (2)-3" lags per brace (Support post is marked where braces go)



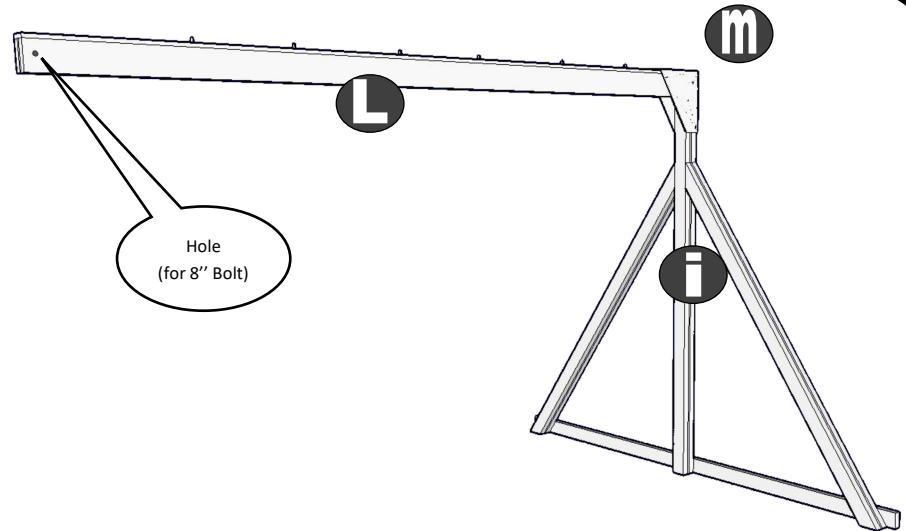
• Swing Beam Assembly / Final Shape

7

• Hardware Needed

L3

3" Lags (8)



- Attach Beam Bracket "m" to end of Swing Beam "L" and fasten with (2)-3" Lags on each side.
- Then Attach Bracket to top of 90" 4x4 Support Post, "i" fasten with (2)-3" Lags on each side.

8

• Hardware Needed

B8

8" Bolt (1)

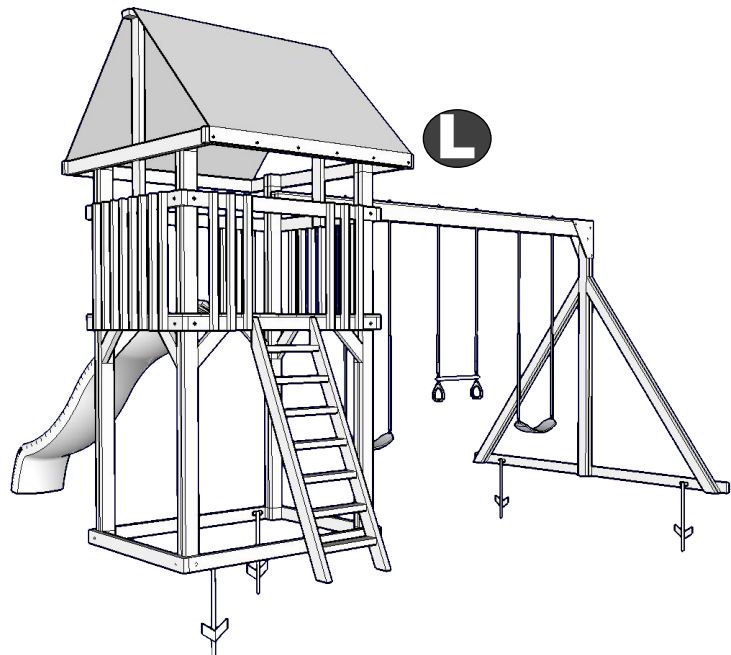
HW

Hardware Pack

GA

Ground Anchors (4)

- Attach Swing Beam "L" to Tower using 8" Bolt.
- Attach Slide using Hardware Pack.
- Attach Belt Swings and Trapeze Bar.
- Attach Ground Anchors (4)



General Care & Maintenance

- Clean with dish soap & water (Do not use pressure washer)
- Every 6 months do a full inspection (Make sure all screws & bolts are tight)
- Re-stain every 3 years (re-stain every 2 years if set sits in direct sunlight)



Made in
the USA



Customer Support

Please watch the instructional video before assembling the playset kit. If you are missing any components or need support, please call **877-536-2276**



<https://jdmoutdoors.com/playsetkits>



5840 County Road 201 ■ Millersburg, Ohio 44654
1.877.536.2276 ■ P: 330.893.3674 ■ F: 330.893.2814
www.jdmoutdoors.com